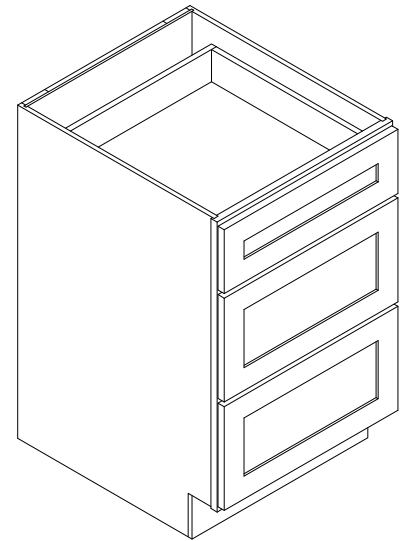




ASSEMBLY INSTRUCTIONS

3DB24/3DB30

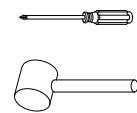


Parts list

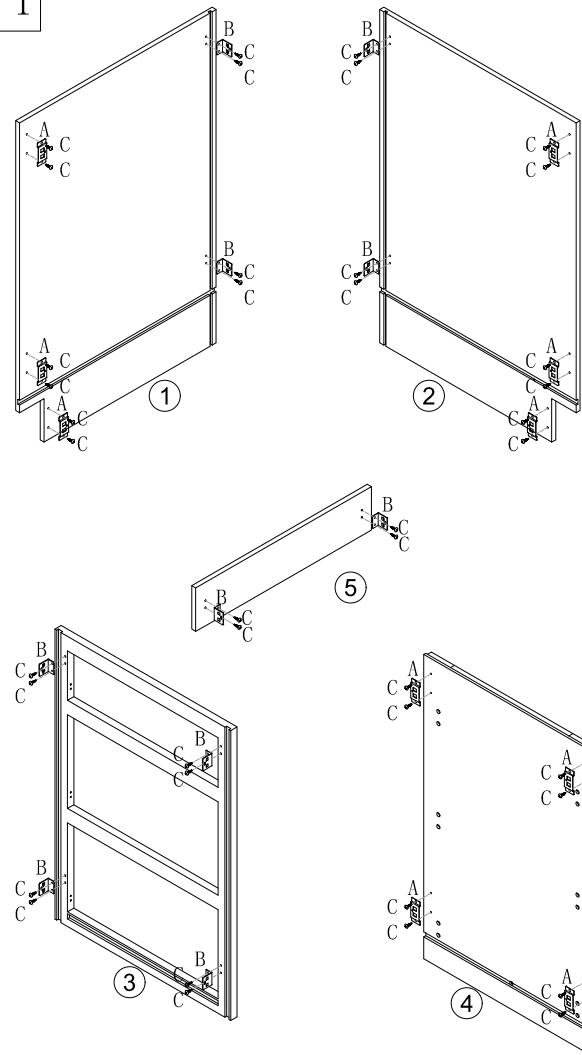
NO.	Parts	QTY
A		10
B		10
C		50
D		16
E		4

NO.	Parts	QTY
F		3
G		1

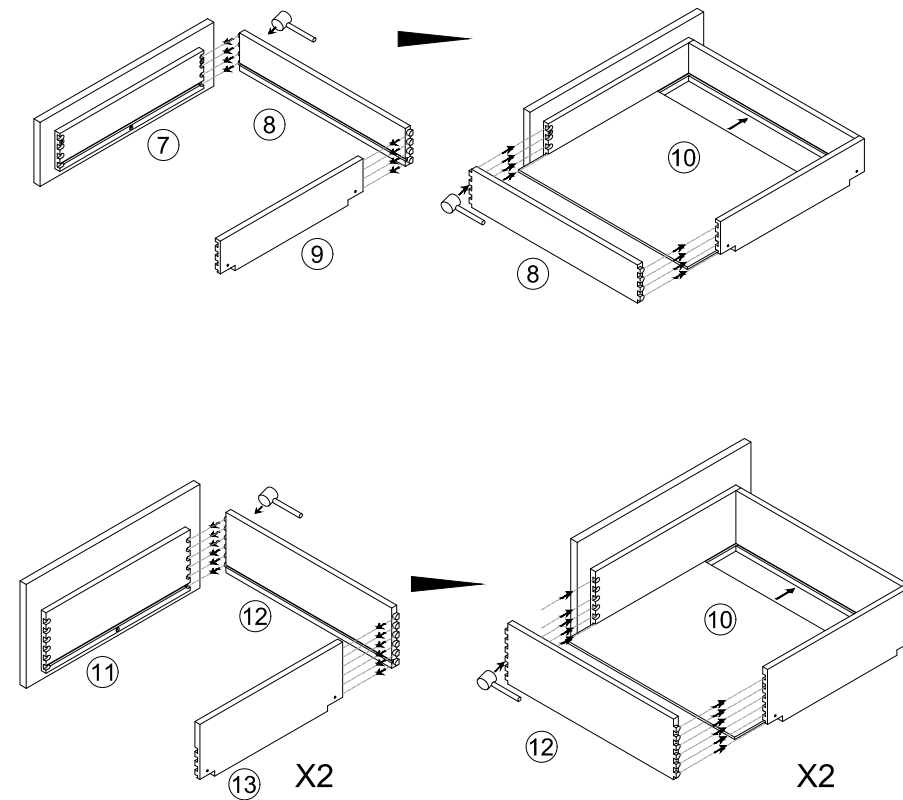
Tools
(required but not provided)



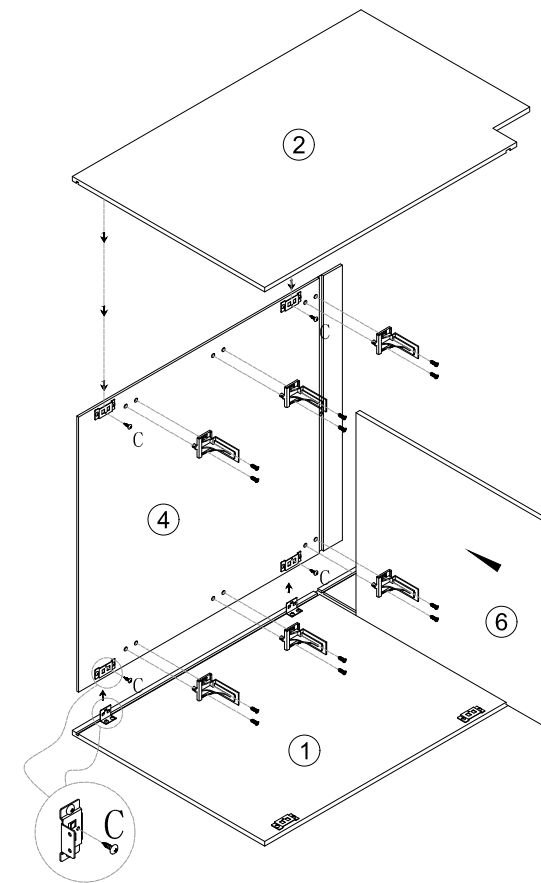
Step 1



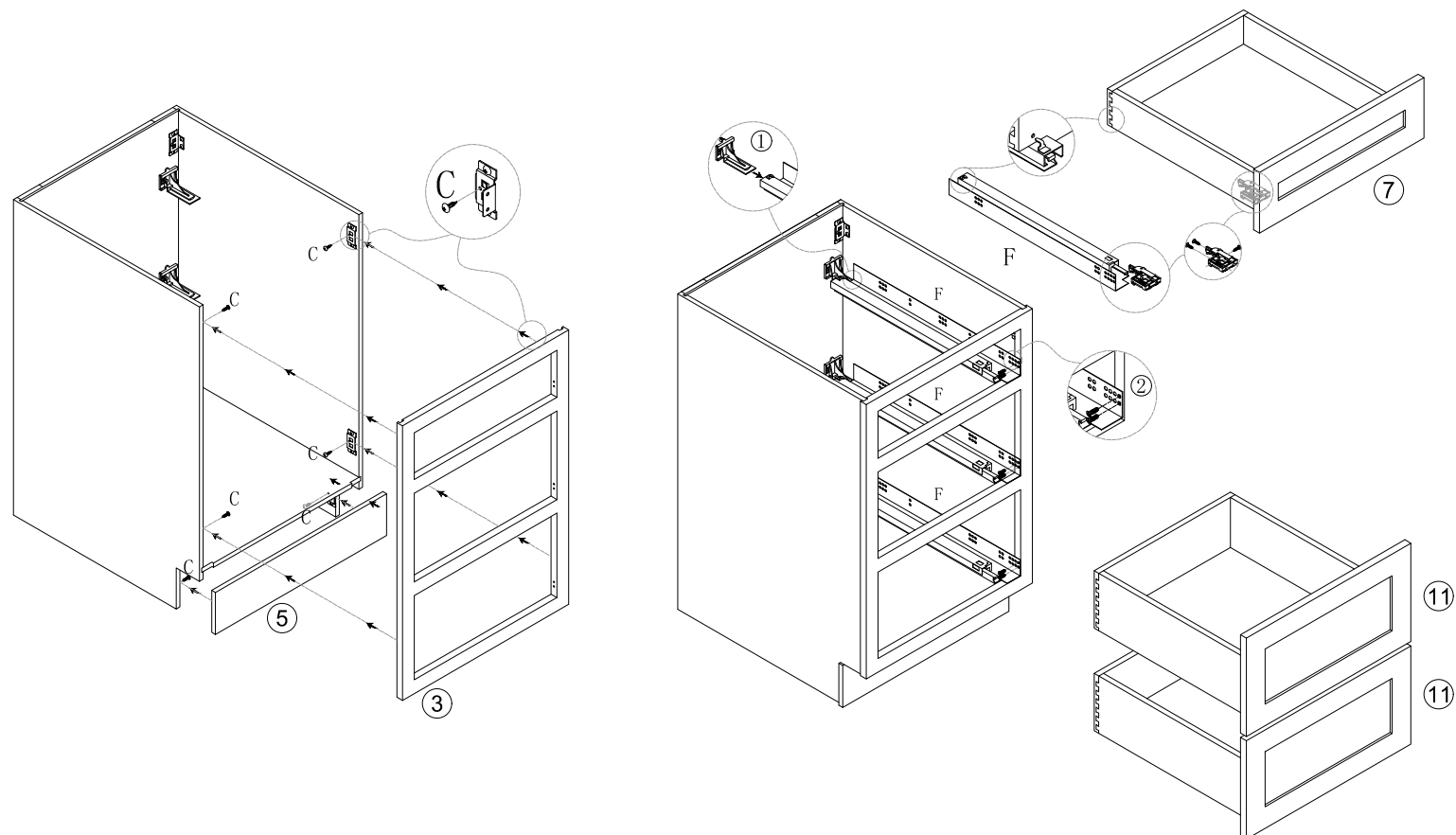
Step 2



Step 3



Step 4



Finished

